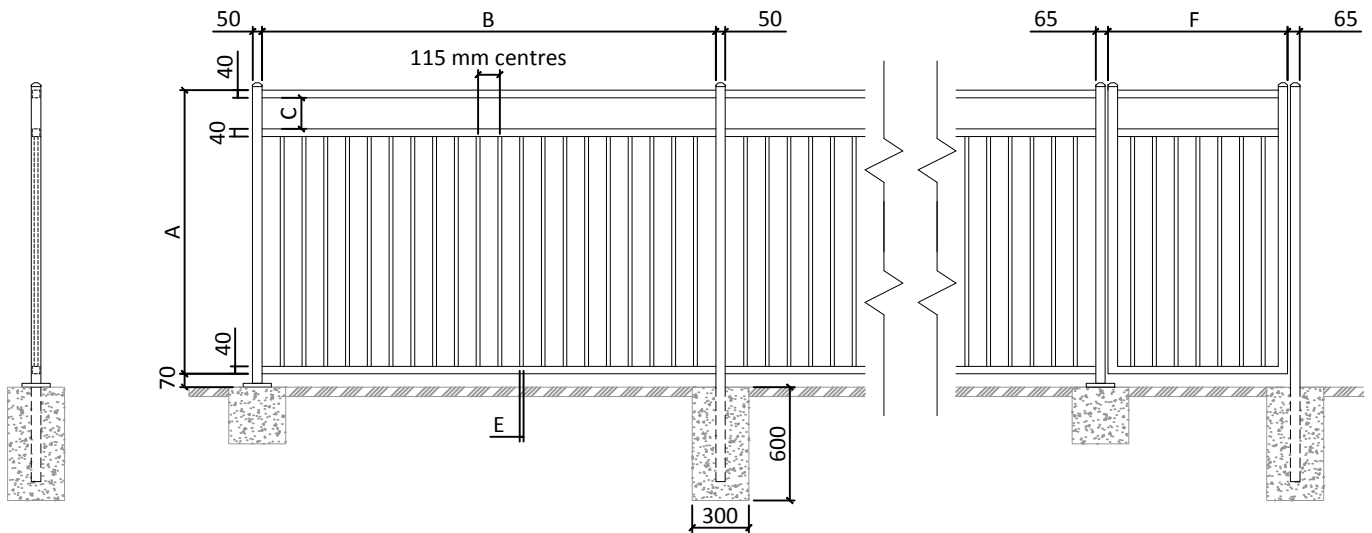


Dimension Reference

A	Height	900 mm - 2100 mm
B	Width	200 mm - 2400 mm (optimum 2400 mm)
C	Gap	150 mm (typ) / positioned to suit
D	Horizontal size	40 mm square
E	Vertical size	16 mm round / 19 mm round / 20 mm square
F	Gate width	950 mm (typ for path gate) / dimensioned to suit



End View

Front View

Panel shown as 1500mm by 2400mm
All dimensions in millimeters

WARNER FENCING AND GATES LTD

FUTURA - EDINBURGH III

FENCE DESIGN SPECIFICATIONS

WARNER.

Ref	Dwg#	Drawn	Rev	Date	Scale
----	WFG_001	AJW	-	05/09/2017	1:40 @ A4