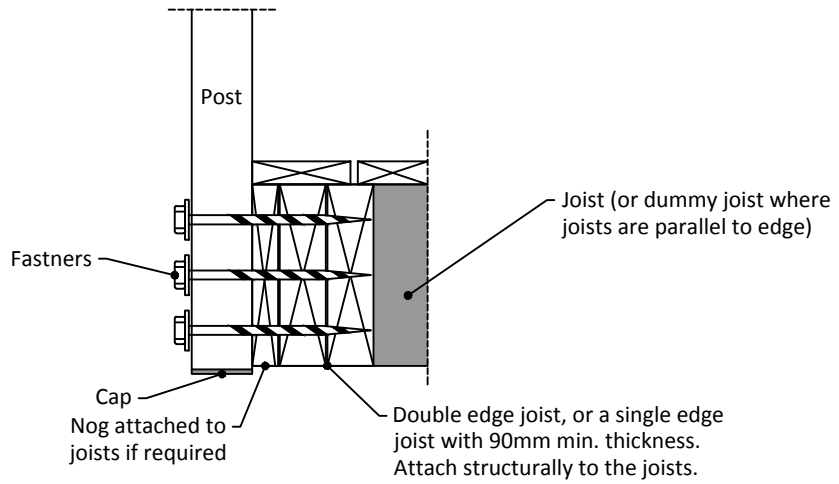
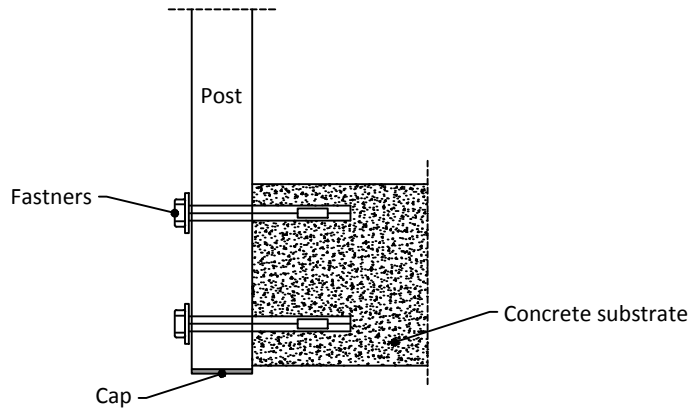


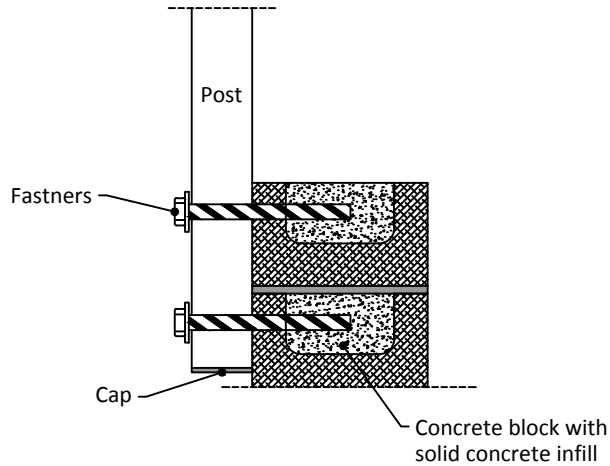
(a) To Timber:



(b) To Concrete:



(c) To Concrete Block / Brick



WARNER FENCING AND GATES LTD

SIDE FIXING POSTS  
MOUNTING SPECIFICATIONS

WARNER.

Ref	Dwg#	Drawn	Rev	Date	Scale
----	WFG_013	AJW	-	05/09/2017	1:5 @ A4